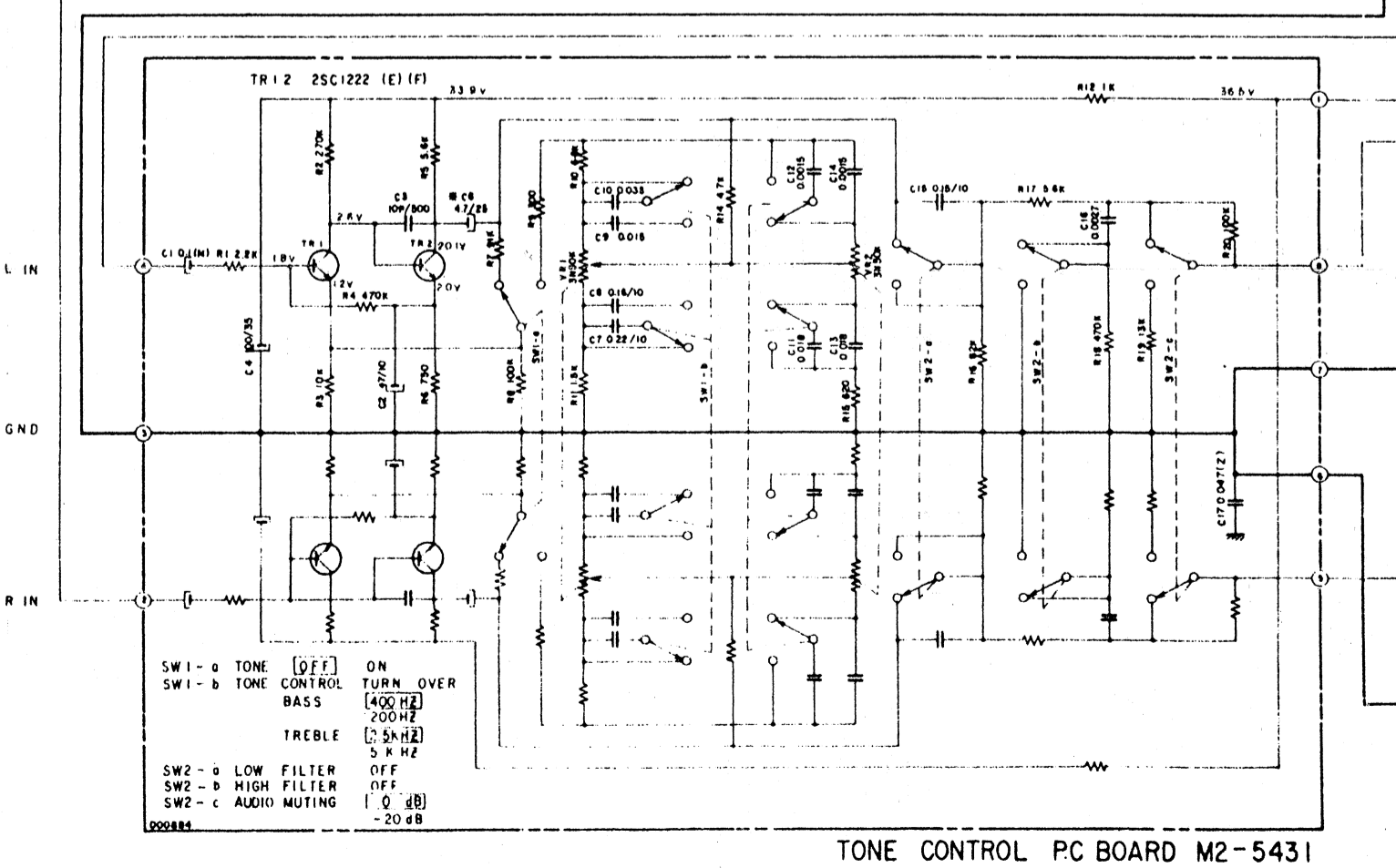
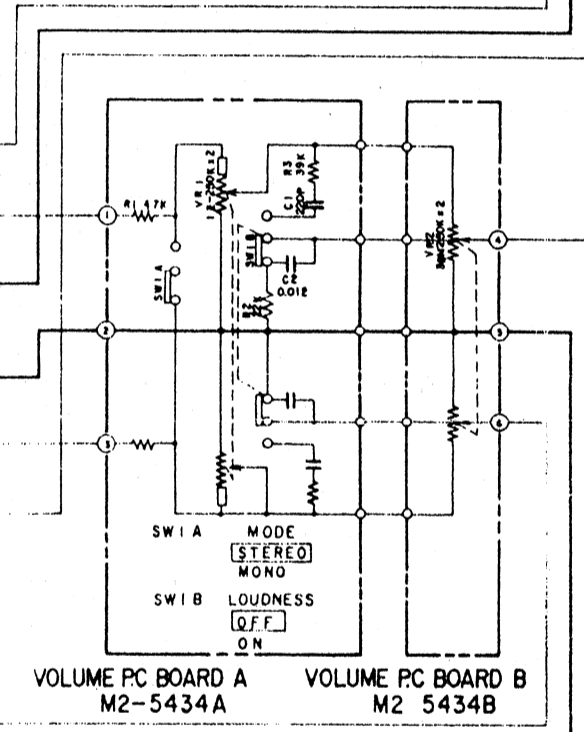
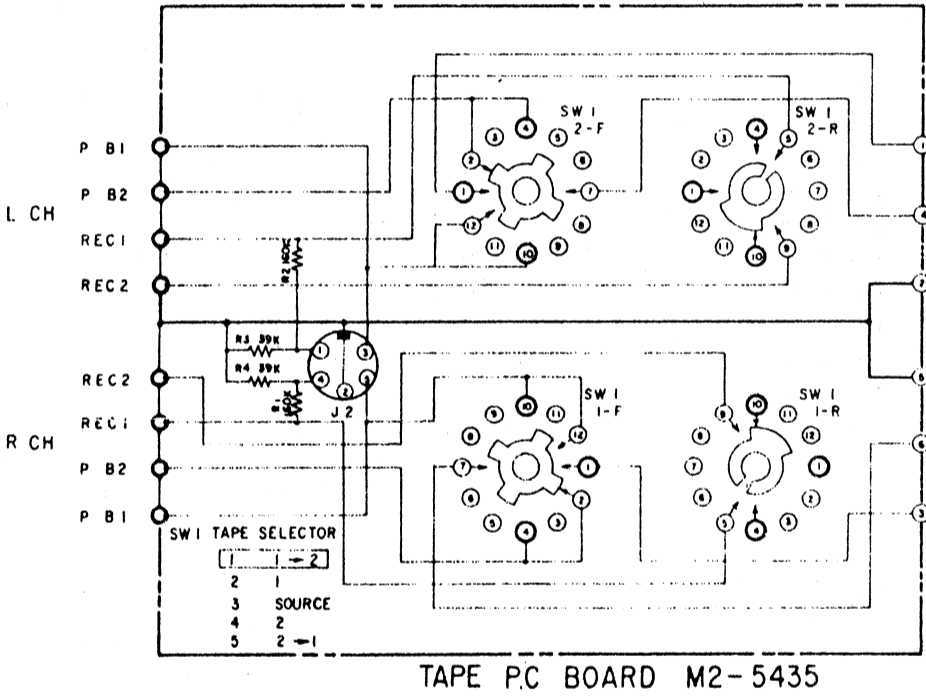
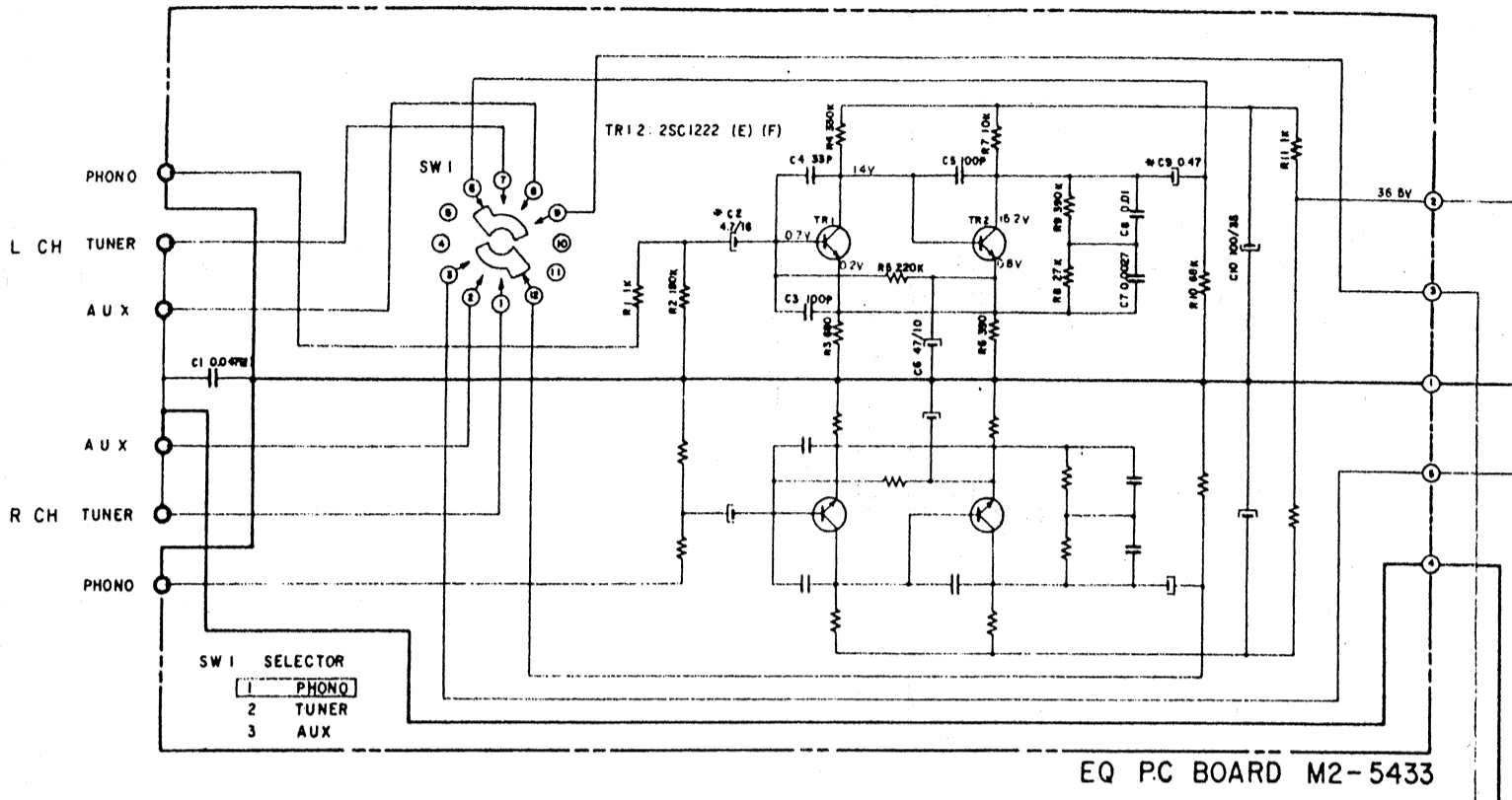
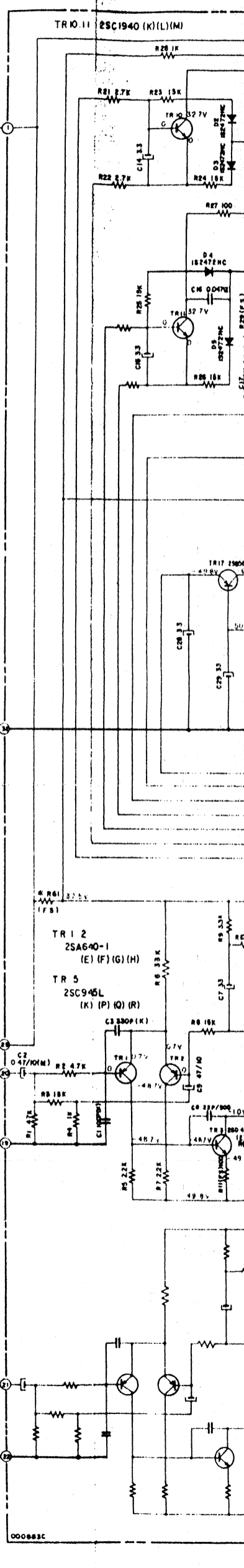


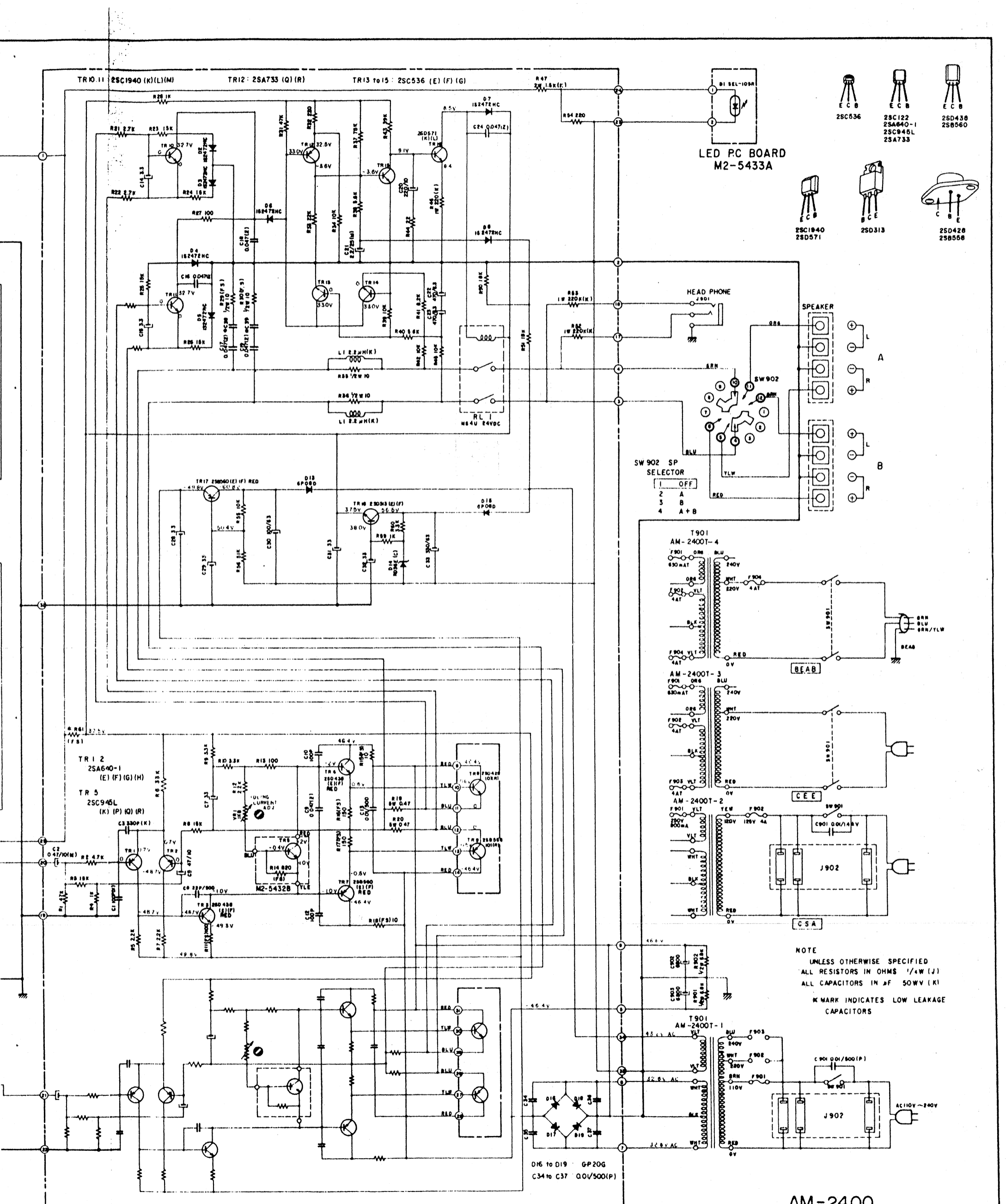
AKAI

AM-2400



- SW1 - a TONE CONTROL [OFF] ON
- SW1 - b TONE CONTROL [TURN OVER] 400 HZ
- BASS [200 HZ]
- TREBLE [5 K HZ]
- SW2 - a LOW FILTER OFF
- SW2 - b HIGH FILTER OFF
- SW2 - c AUDIO MUTING [0 dB] -20 dB





MAIN PC BOARD M2-5432A

AM-2400 SCHEMATIC DIAGRAM No. 1540658A

NOTE
 UNLESS OTHERWISE SPECIFIED
 ALL RESISTORS IN OHMS (J)
 ALL CAPACITORS IN μF 50WV (K)
 * MARK INDICATES LOW LEAKAGE CAPACITORS

D16 to D19 GP20G
 C34 to C37 0.0/500(P)